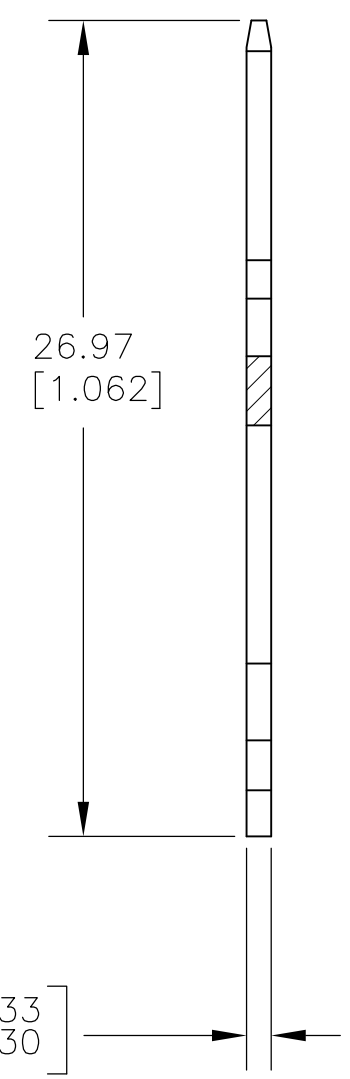
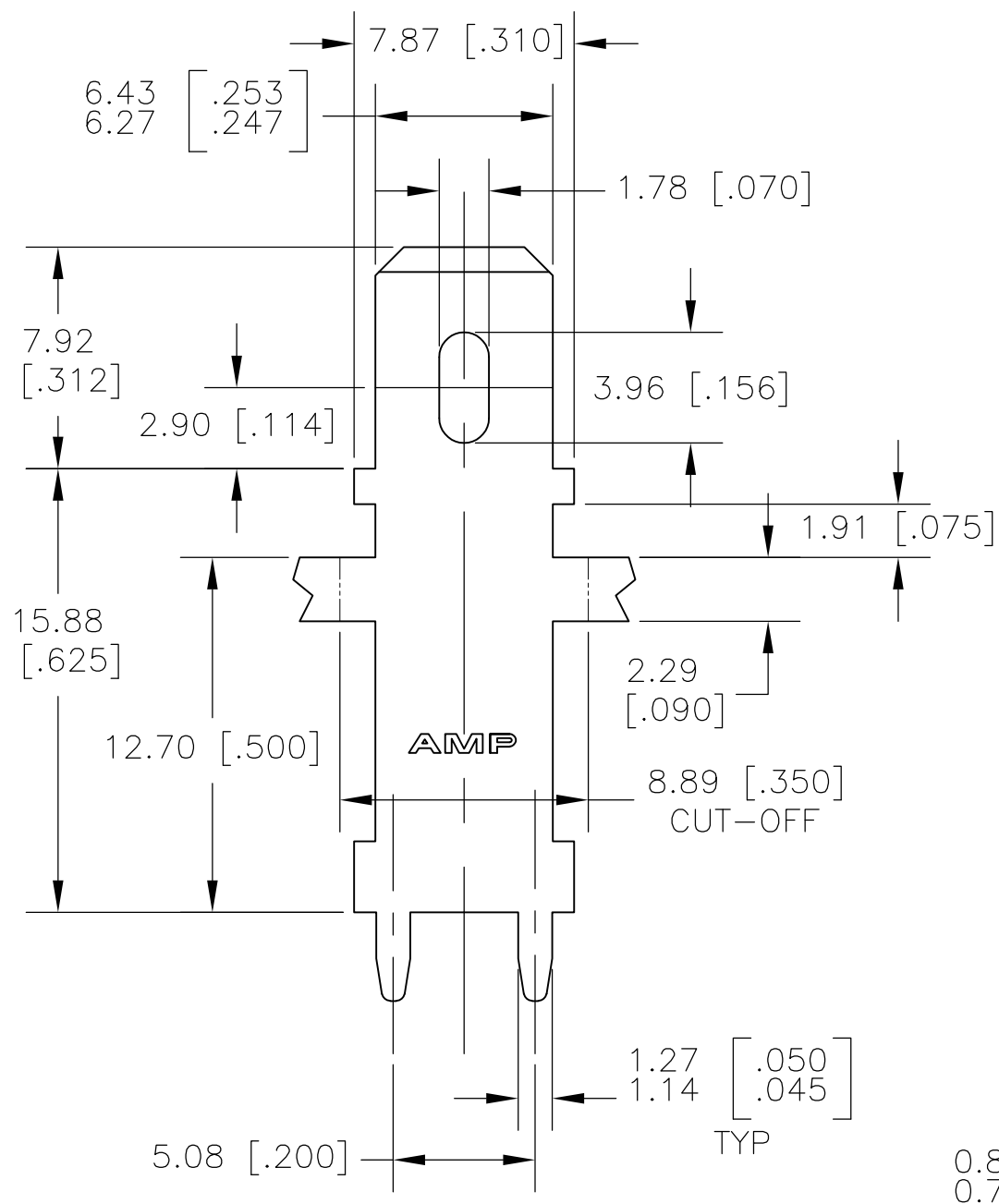
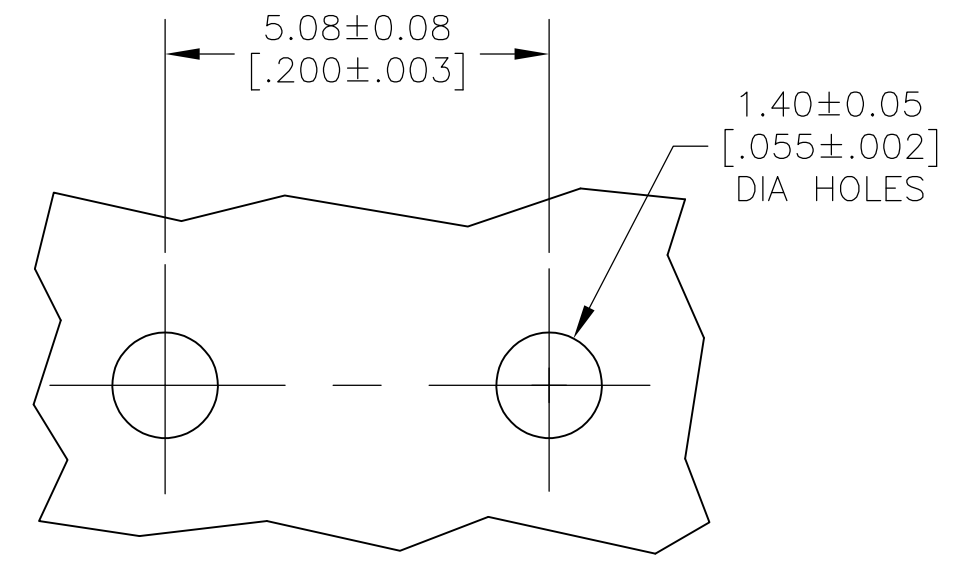


THIS DRAWING IS UNPUBLISHED. RELEASED FOR PUBLICATION
 © COPYRIGHT - By - ALL RIGHTS RESERVED.

| LOC | DIST | REVISIONS | | | | | |
|-----|------|-----------|-----|---------------------------|---------|-----|------|
| AF | 50 | P | LTR | DESCRIPTION | DATE | DWN | APVD |
| | | | H | REVISED PER ECR-13-001204 | 24JUN13 | KH | PD |



- 1 CONTINUOUS STRIP ON REELS
- 2 FEED IS 8.89±0.076 [.350±.003].
- 3 0.00381 [.000150] MIN TIN OVER
0.00127 [.000050] MIN NICKEL.
- 4 REELED WITH INTERLEAVING PAPER
- 5 PRELIMINARY - NOT FOR PRODUCTION



P.C. BOARD HOLES
SCALE 10:1

| | | | |
|---|----------|---|----------|
| 4 | BRASS | 5 | 63949-3 |
| | BRASS | 5 | 63949-2 |
| | BRASS | | 63949-1 |
| | MATERIAL | | PART NO. |

| | | | | | | | | | | | | | | | |
|---|-----------|--------------|----------|------------------|---|------|----|-----------|-------|------------|---------|---------------|--------|-----|---|
| THIS DRAWING IS A CONTROLLED DOCUMENT. | | DWN | JR RUTH | 05DEC00 | TE Connectivity NAME TAB, FASTON, P.C. BOARD, 6.35 [.250] SERIES | | | | | | | | | | |
| DIMENSIONS: INCHES | | CHK | MS FEHER | 05DEC00 | | | | | | | | | | | |
| TOLERANCES UNLESS OTHERWISE SPECIFIED: | | APVD | G PORTA | 05DEC00 | | | | | | | | | | | |
| 0 PLC ± - 1 PLC ± - 2 PLC ± 0.25 [.010] 3 PLC ± - 4 PLC ± - ANGLES ± - | | PRODUCT SPEC | - | APPLICATION SPEC | | | | 114-2115 | | | | | | | |
| MATERIAL | SEE TABLE | FINISH | 3 | WEIGHT | - | SIZE | A3 | CAGE CODE | 00779 | DRAWING NO | C-63949 | RESTRICTED TO | - | | |
| CUSTOMER DRAWING | | | | | | | | | | SCALE | 4:1 | SHEET | 1 OF 1 | REV | H |